



**USES**



**Bleach**



**Remove stains**



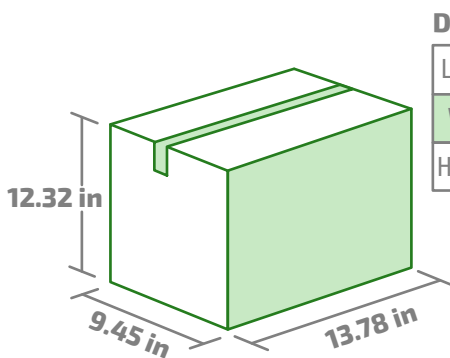
**Eliminate bad smells**

**TECHNICAL DATA**

BOTTLE NET CONTENT	<b>2.00 / 67.63</b>	L / fl. oz
GROSS BOTTLE WEIGHT	<b>2.22 / 4.89</b>	Kg / lb
PIECES PER CASE	<b>6</b>	pcs
GROSS CASE WEIGHT	<b>13.65 / 30.09</b>	Kg / lb
CASES PER LAYER	<b>13</b>	pcs
NUMBER OF LAYERS	<b>5</b>	
CASES PER PALLET	<b>65</b>	pcs
GROSS PALLET WEIGHT	<b>902.3 / 1,989.2</b>	Kg / lb

BOTTLE BAR CODE	CASE BAR CODE
 7 41120 00071 5	 1 074112 000071 2

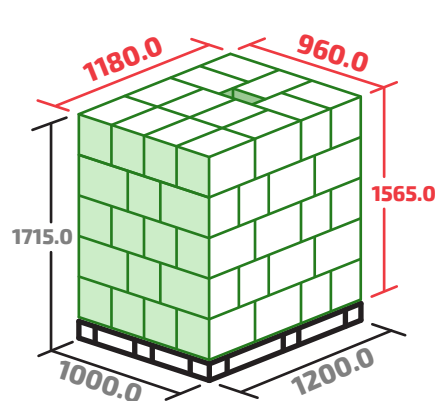
**2L CASE**



**DIMENSIONS**

Large:	<b>350 mm / 13.78 in</b>
Width:	<b>240 mm / 9.45 in</b>
Height:	<b>313 mm / 12.32 in</b>

**TECHNICAL DATA PALLET**



**PALLET**

Layers / pallet:	<b>5</b>
Cases / pallet:	<b>65</b>
Gross weight:	<b>902.3 Kg / 1.989.2 lb</b>