



USES



Bleach



Remove stains



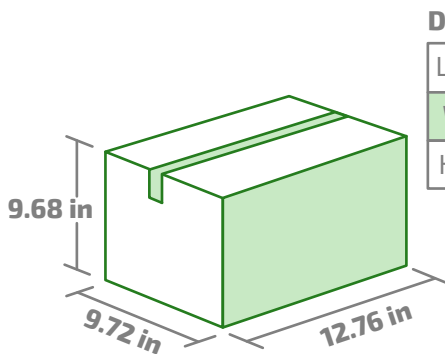
Eliminate bad smells

TECHNICAL DATA

BOTTLE NET CONTENT	1.00 / 33.82	L / fl. oz
GROSS BOTTLE WEIGHT	1.09 / 2.40	Kg / lb
PIECES PER CASE	12	pcs
GROSS CASE WEIGHT	13.55 / 29.87	Kg / lb
CASES PER LAYER	14	pcs
NUMBER OF LAYERS	5	
CASES PER PALLET	70	pcs
GROSS PALLET WEIGHT	948.5 / 2,091.09	Kg / lb



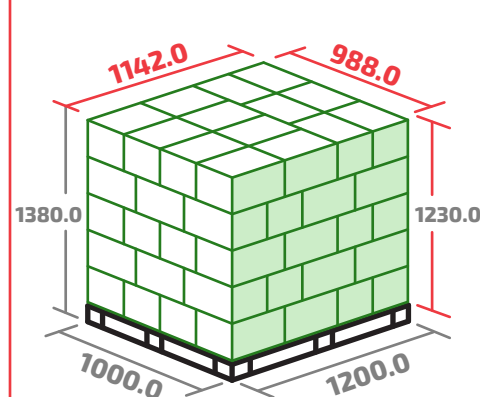
1L CASE



DIMENSIONS

Large:	324 mm / 12.76 in
Width:	247 mm / 9.72 in
Height:	246 mm / 9.68 in

TECHNICAL DATA PALLET



PALLET

Layers / pallet:	5
Cases / pallet:	70
Gross weight:	948.50 Kg / 2.091.09 lb